



## DOMINO SOFA

Norde

### TECHNICAL SPECIFICATIONS

Designed by  
*Norde Design Studio*

INTERIOR STRUCTURE    BEECH HARDWOOD FRAME

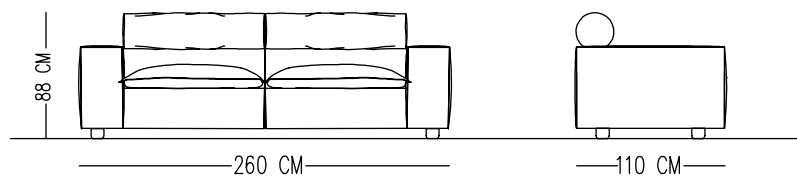
SEAT CUSHION    HR FOAM

BACK    HR FOAM

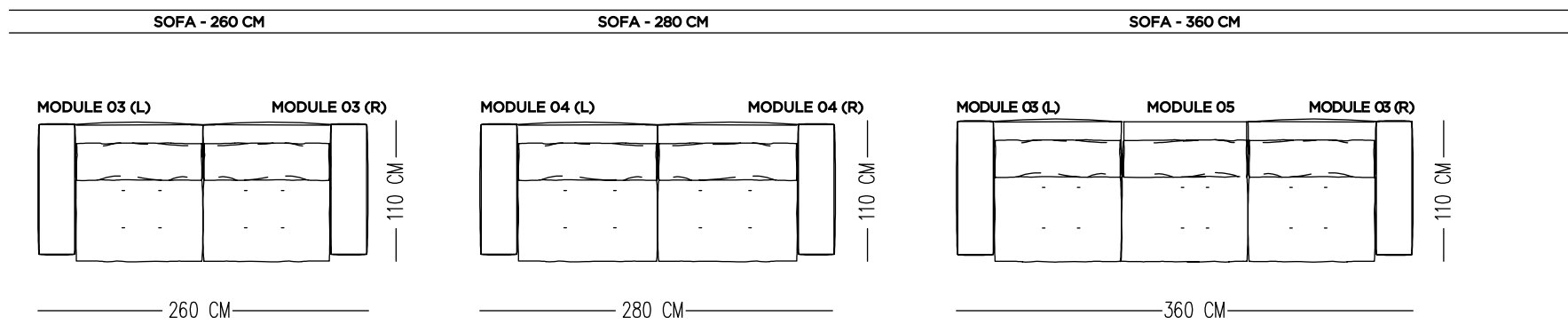
UPHOLSTERY    TIGHT

MAINTENANCE    ALL DECORATIVE CUSHIONS ARE GOOSE DOWN AND SILICON MIX, QUANTITY AND DIMENSIONS ARE AS PER TECHNICAL.

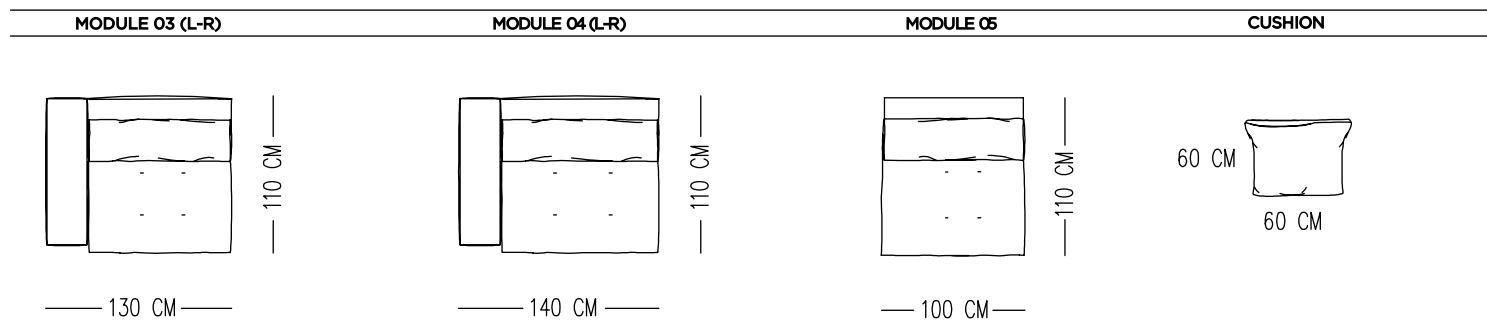
We recommend shaking and fluffing-up the cushions regularly to maintain the shape. This should be done after removing the cushions from the structure for improved air circulation. For maintenance of fabric and leather, please contact your retailer.



# STANDARDS



# MODULES



Catalog product-fabric

N-A37/Soft Velvet  
15 Frost

Catalog product-Legs

Hidden leg

Alternative fabric  
Linen,Soft velvet and Nubuck